






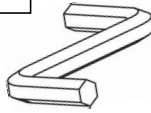
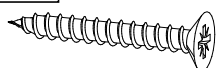
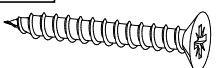


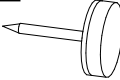
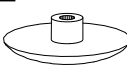
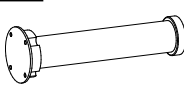
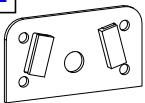
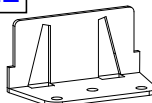
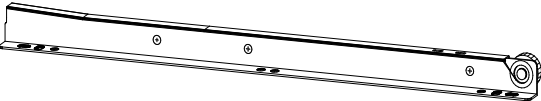
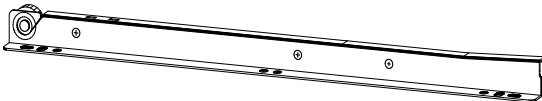
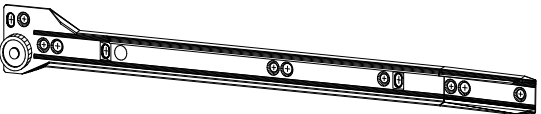
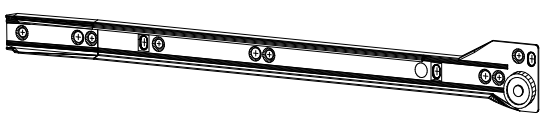
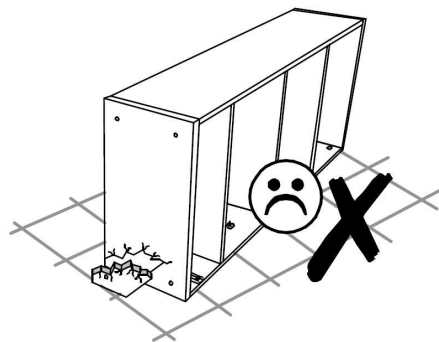
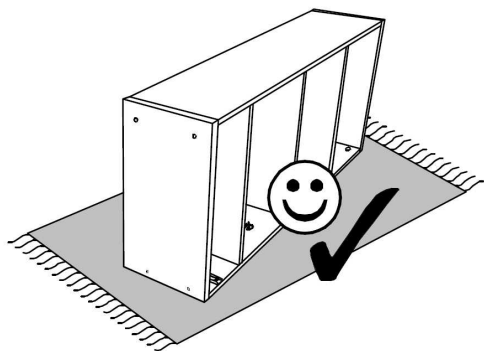
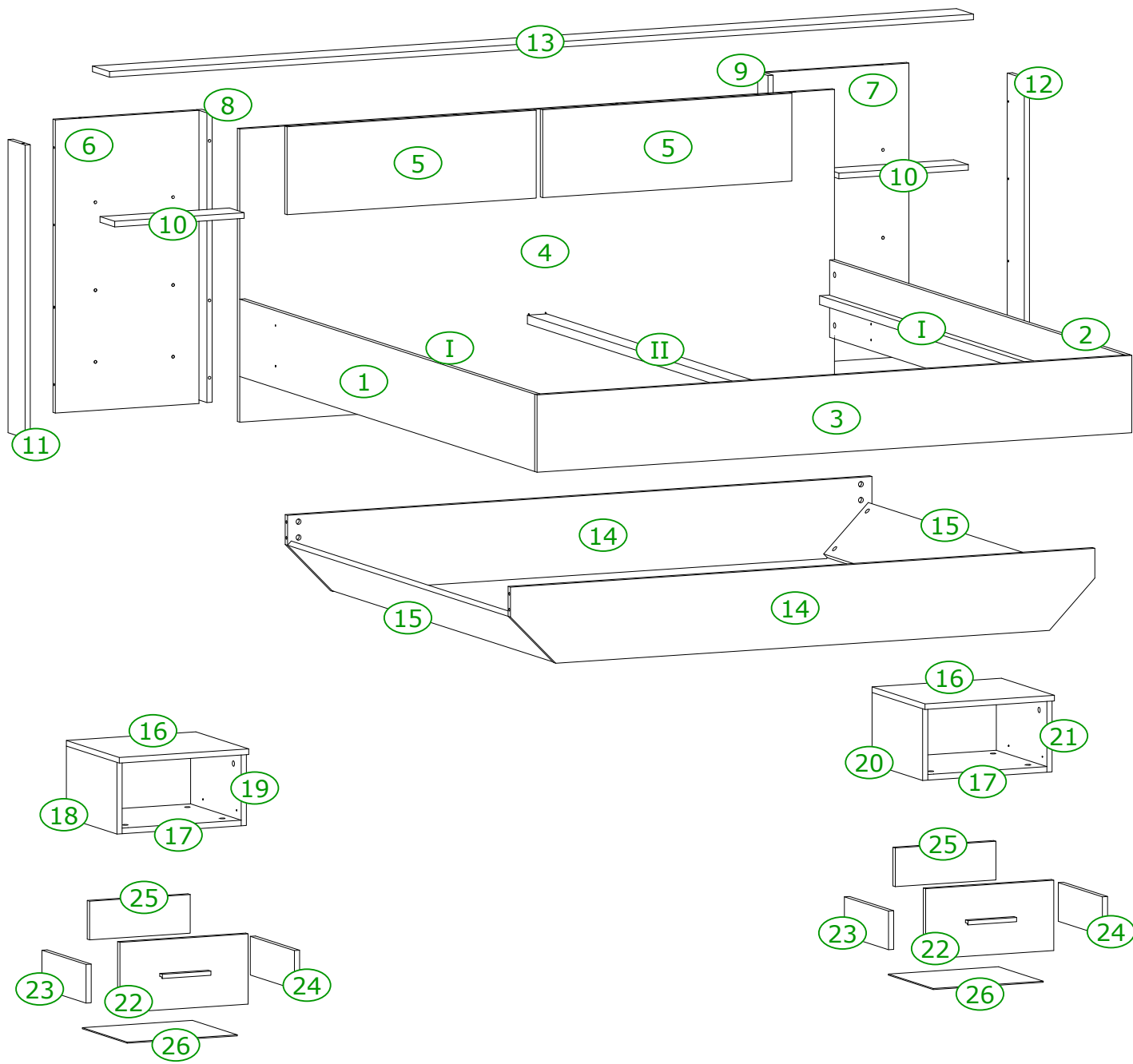


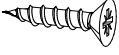


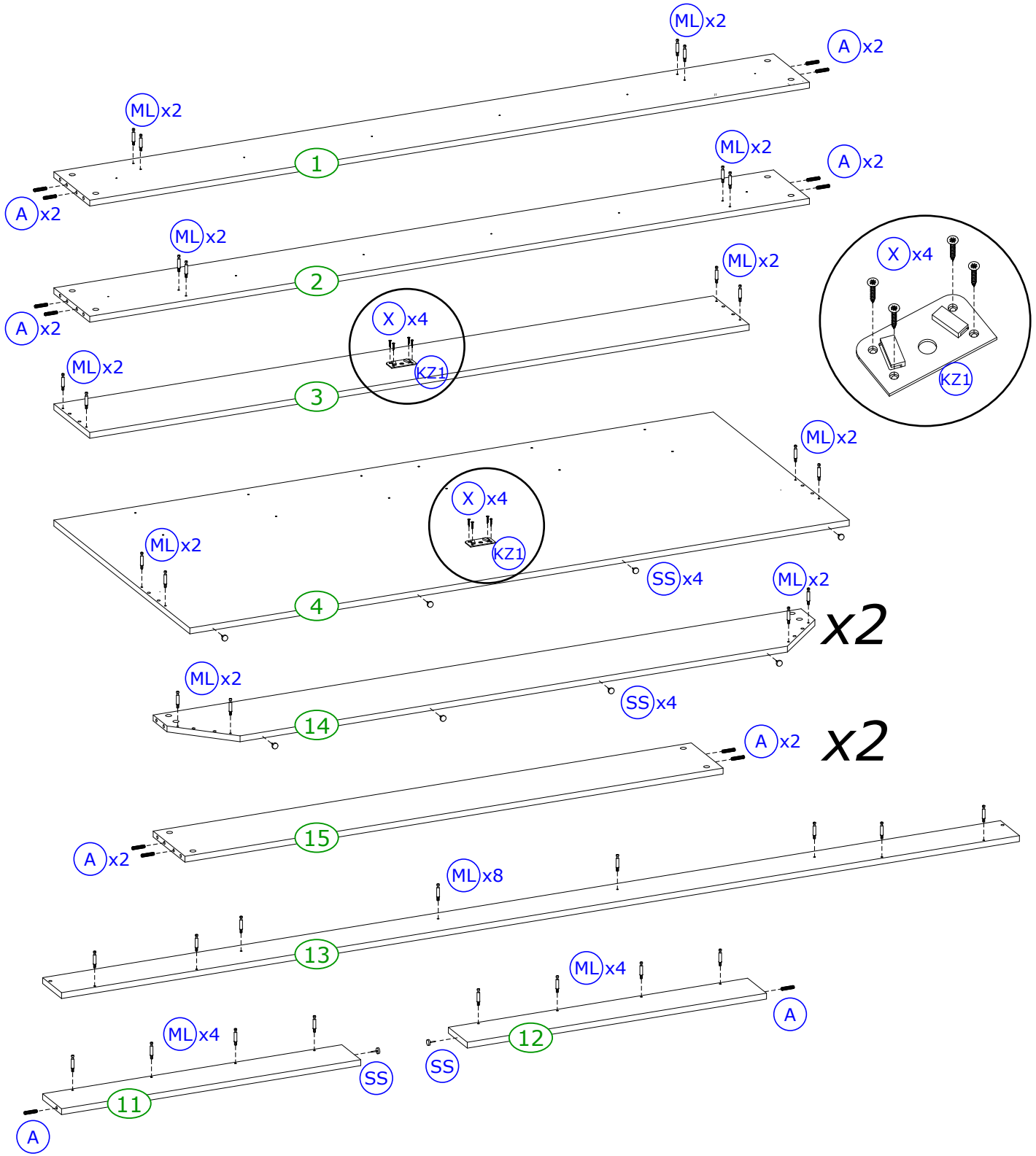


A	34 x	ML	72 x	M1	72 x	X	22 x	K	8 x	M	8 x
	8 x 35						3,5 x 16		3 x 25		
D	28 x	P	1 x	L	20 x	LL	12 x	G	22 x	UL	2 x
					4 x 30		4 x 40				
SS	18 x	MZ	16 x	N	2 x	KZ1	2 x	KZ2	2 x		
											
T					2 x	I					2 x
					L 300						L 300
B					2 x	C					2 x
					L 300						L 300

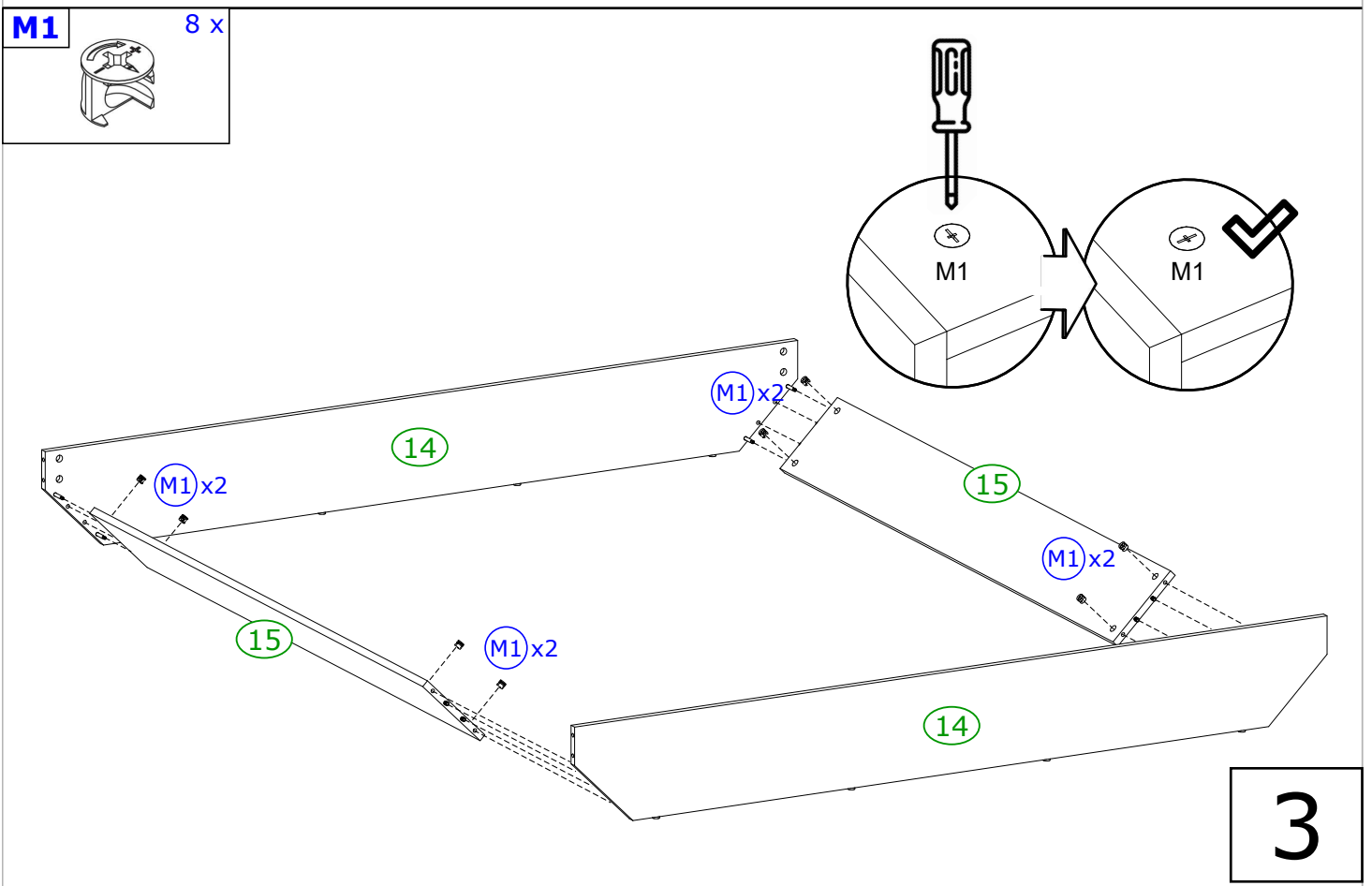
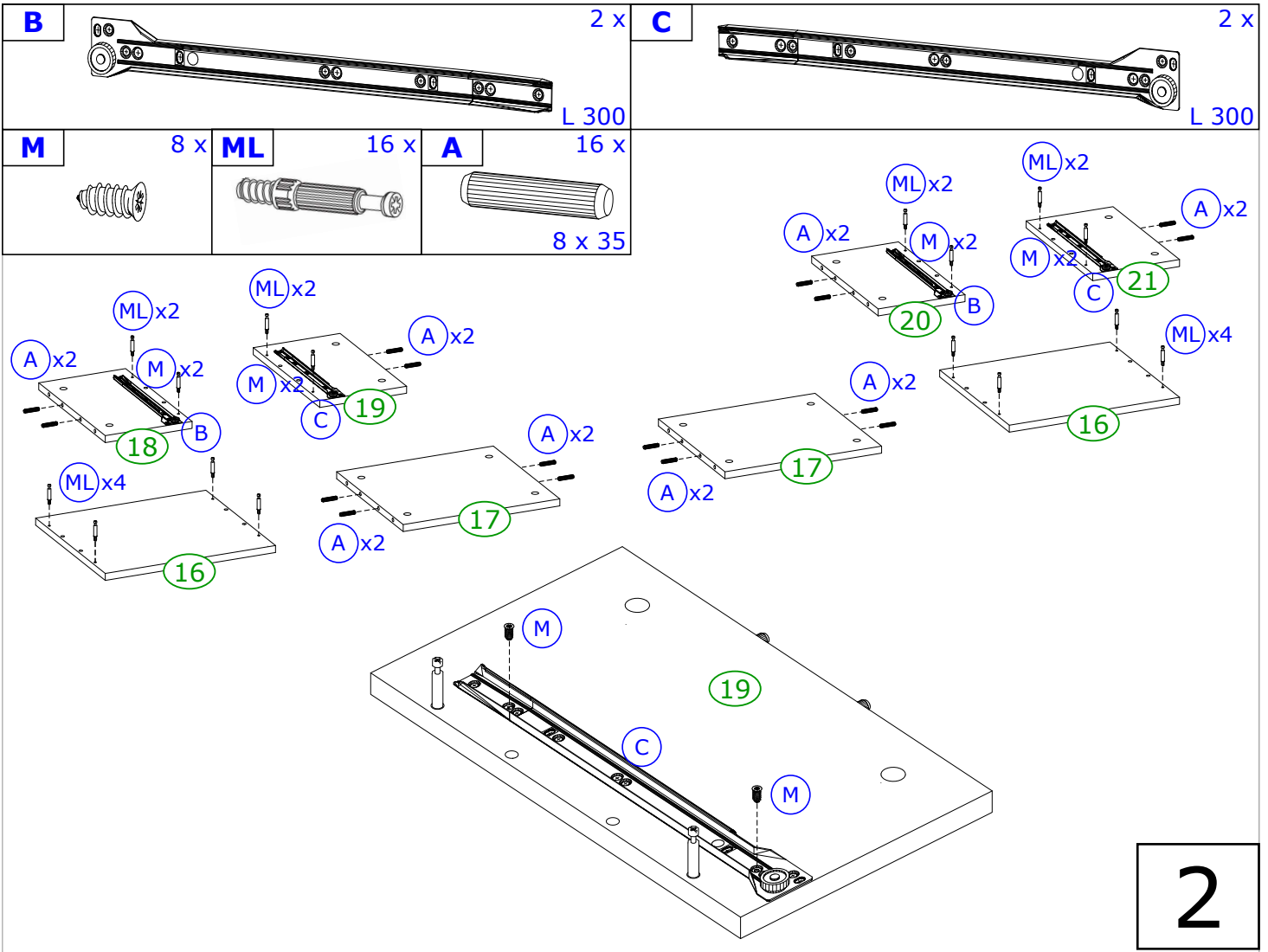




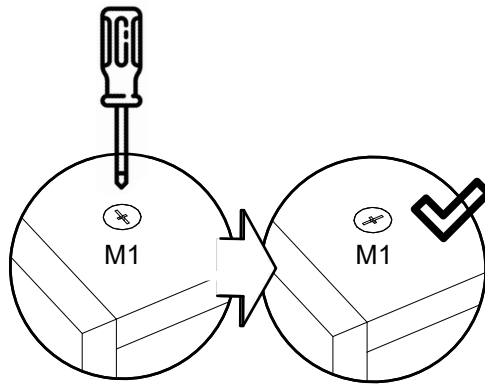
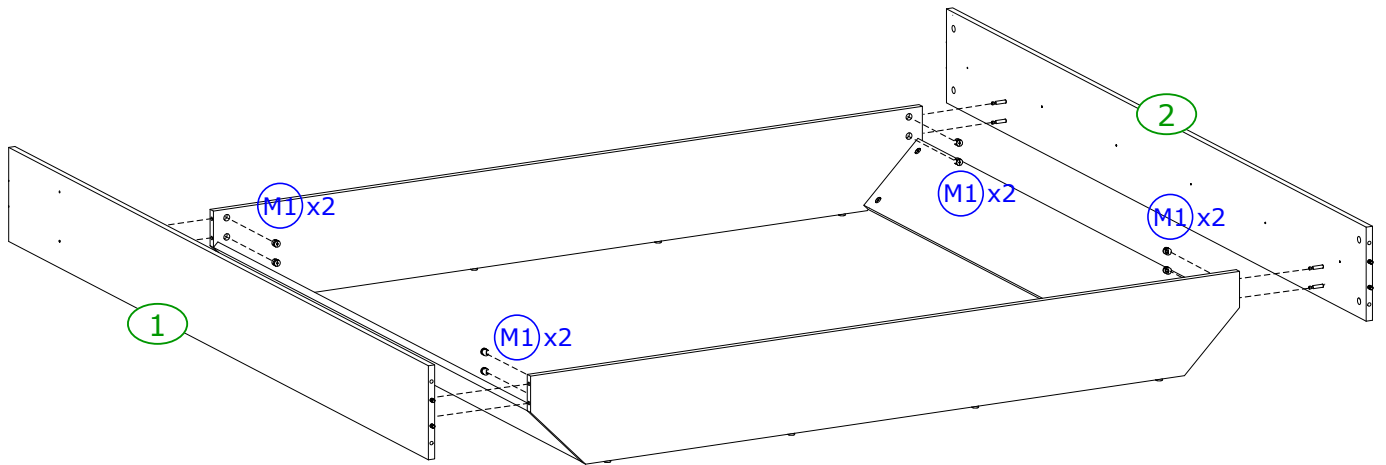
ML	40 x	A	18 x	X	8 x	SS	14 x	KZ1	2 x
			8 x 35		3,5 x 16				



1

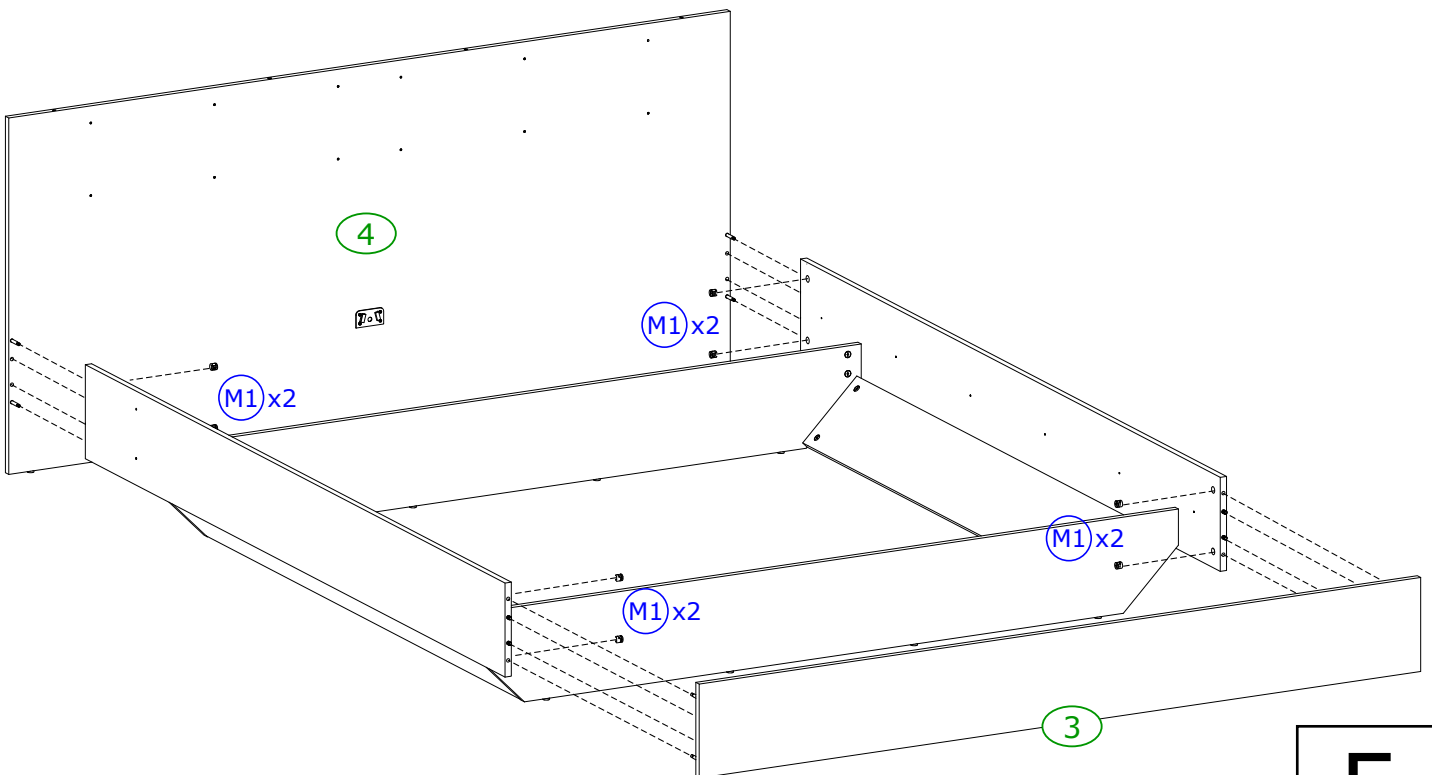


M1 8 x

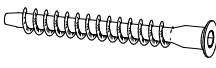
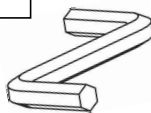


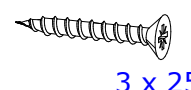

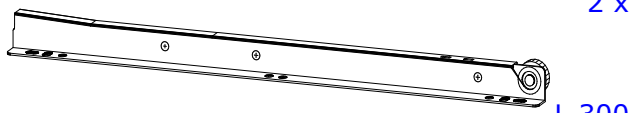
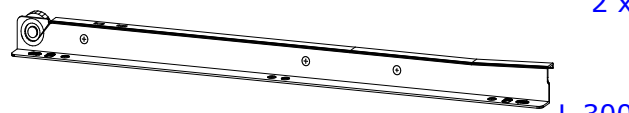


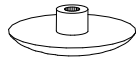
4

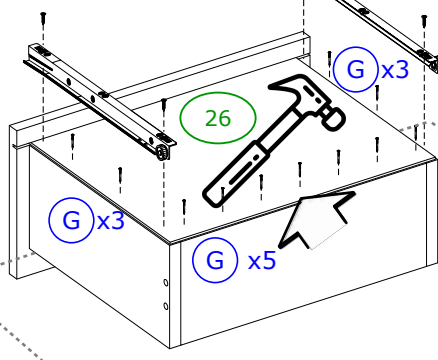
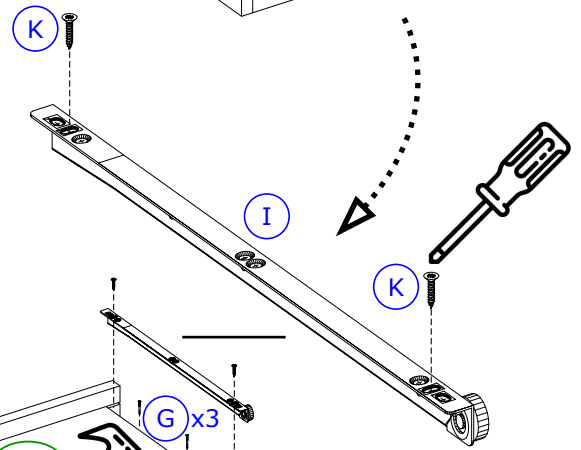
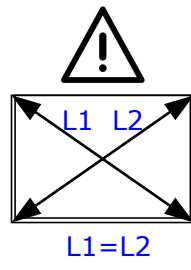
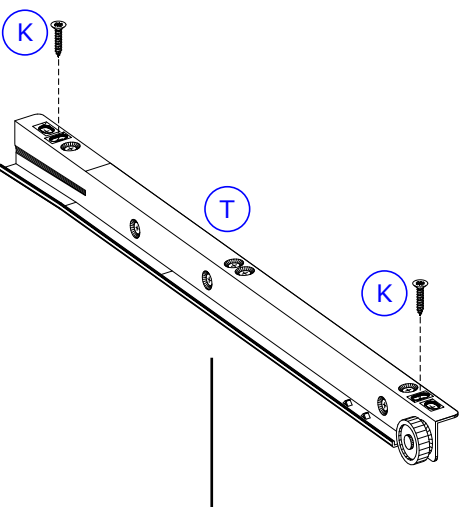
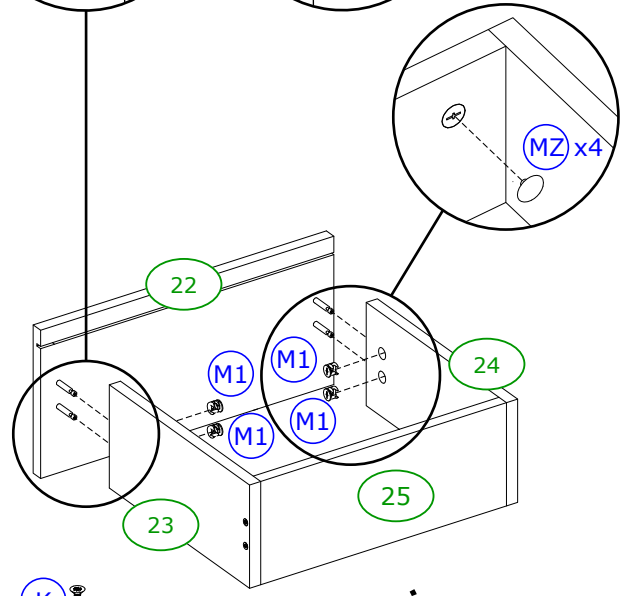
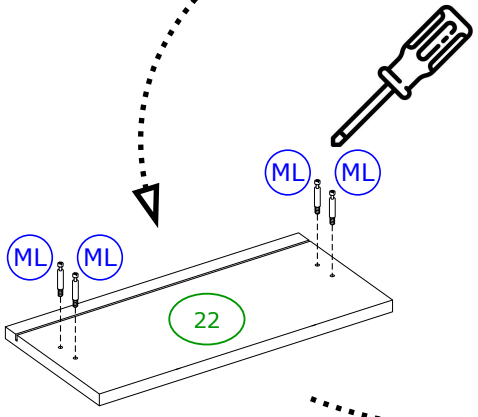
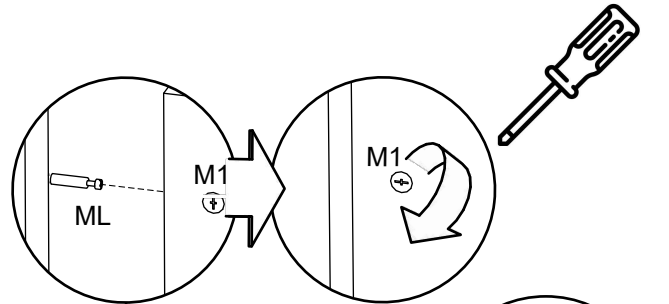
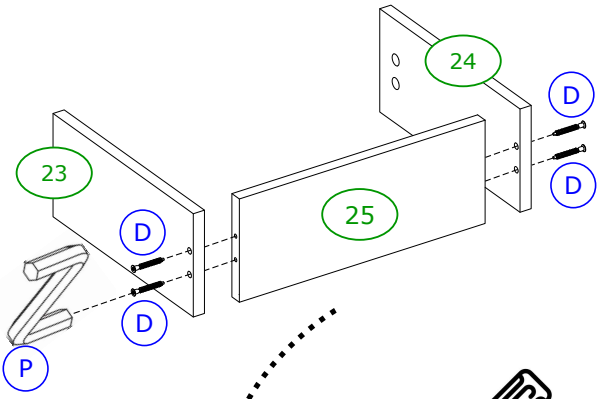
M1 8 x



5

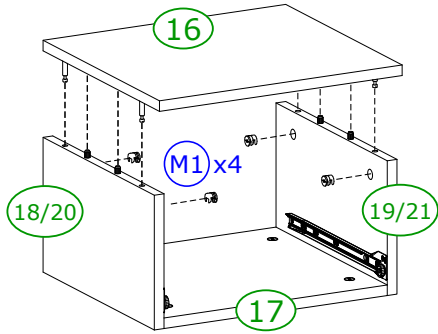
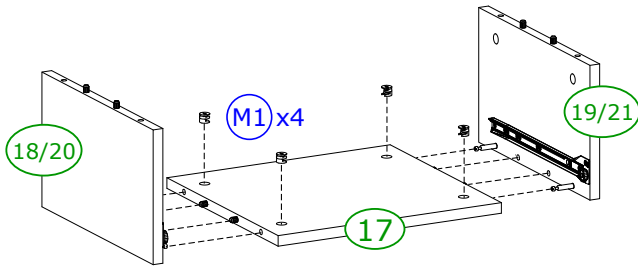
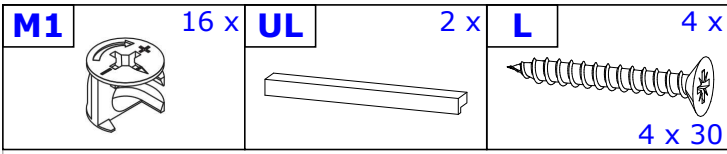
D	8 x	P	1 x	ML	8 x	M1	8 x	K	8 x	G	22 x
									3 x 25		
T					2 x	I					2 x
											

MZ	8 x
	

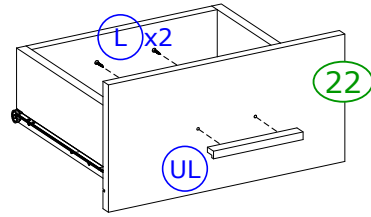
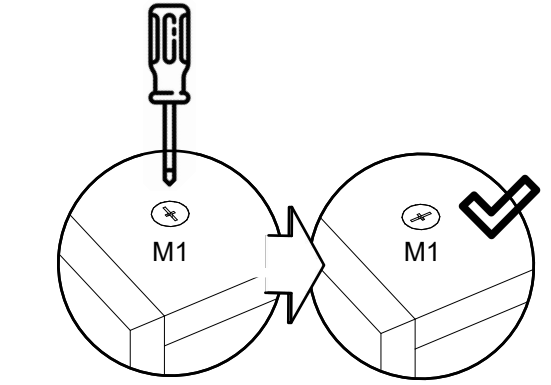


x2

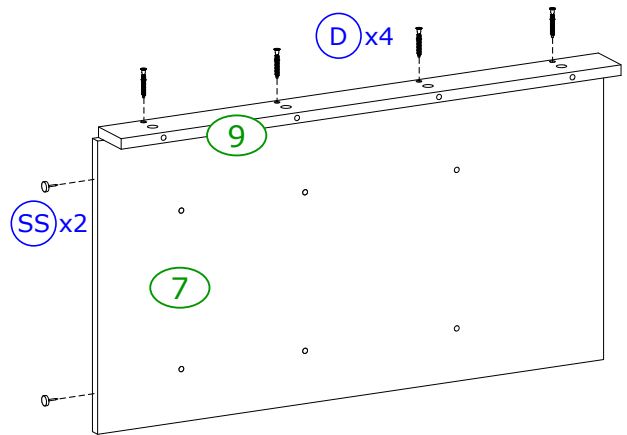
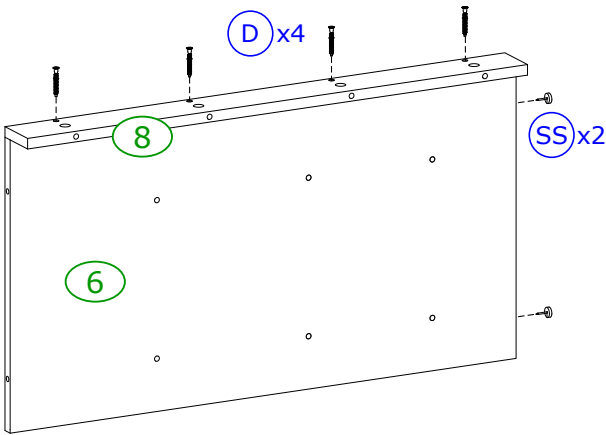
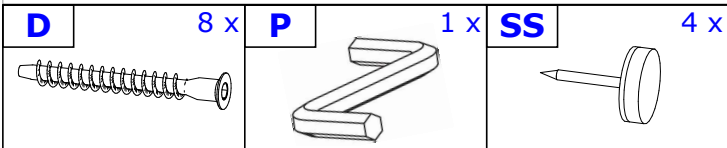
6



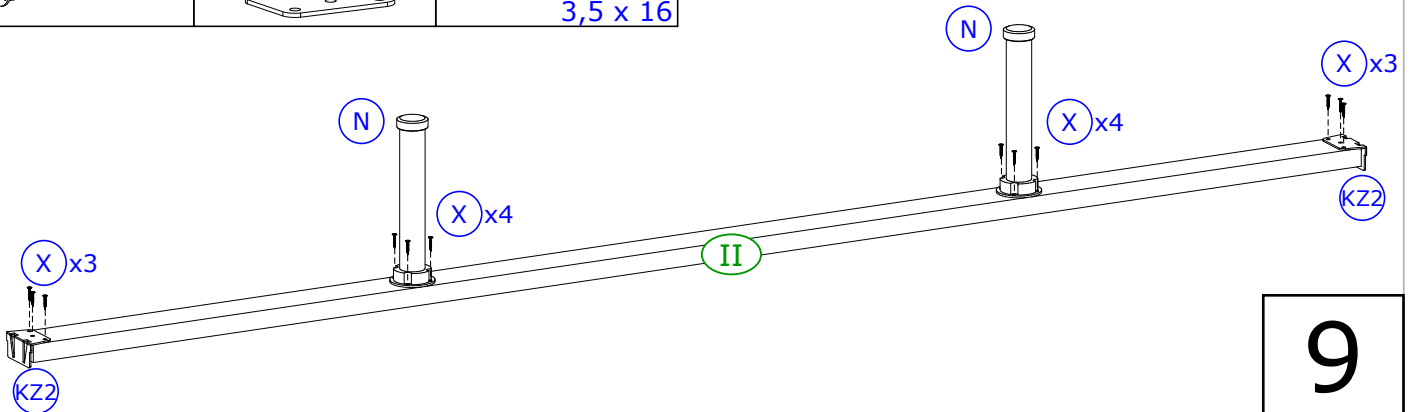
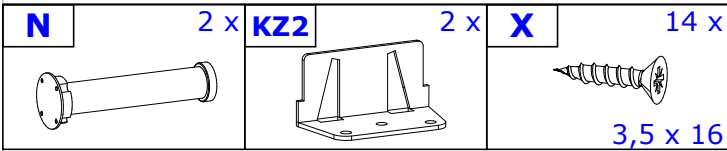
x2



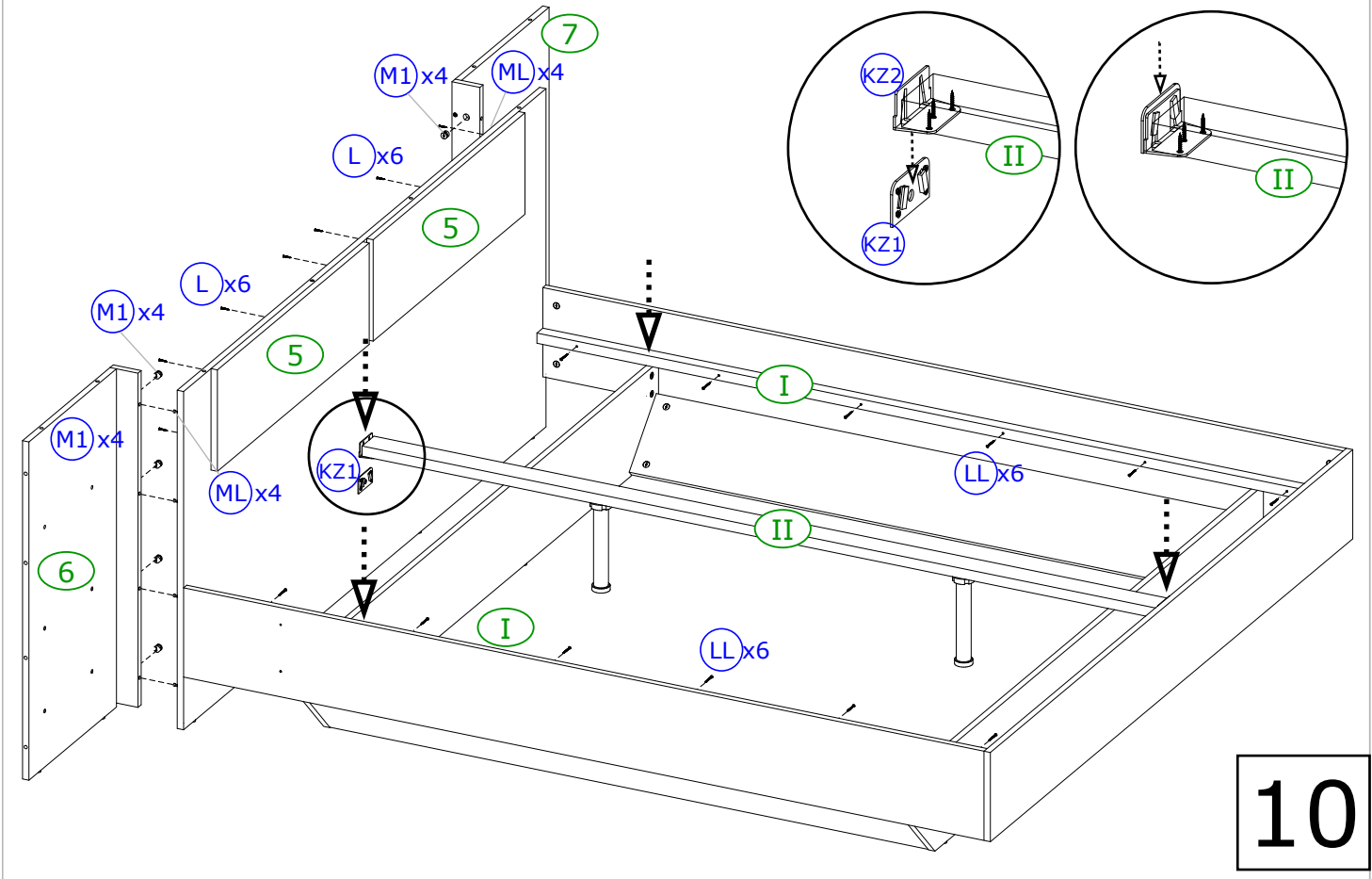
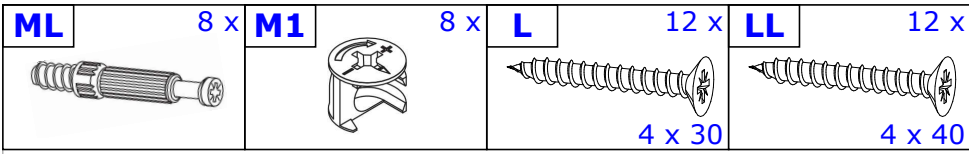
7



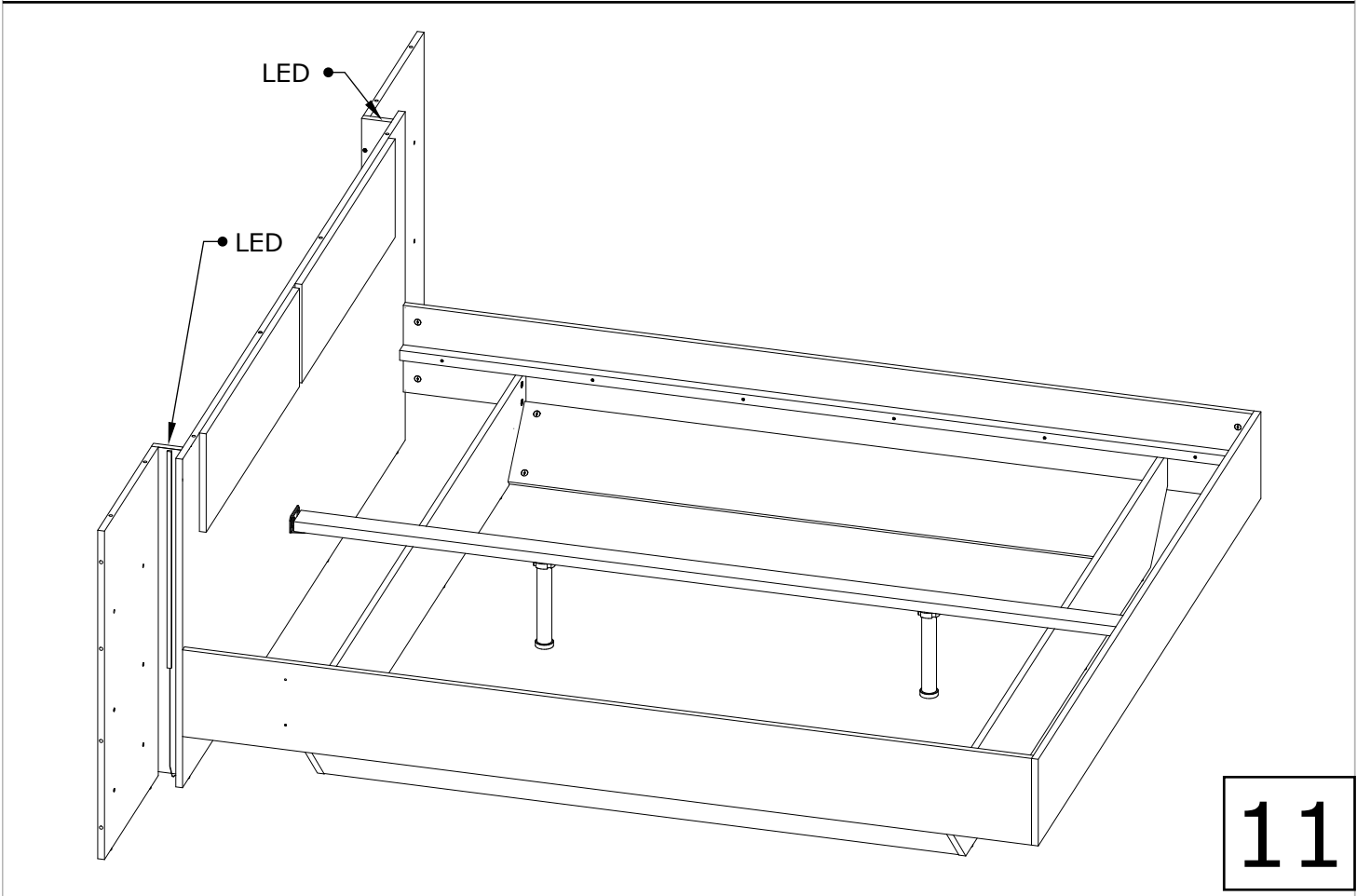
8



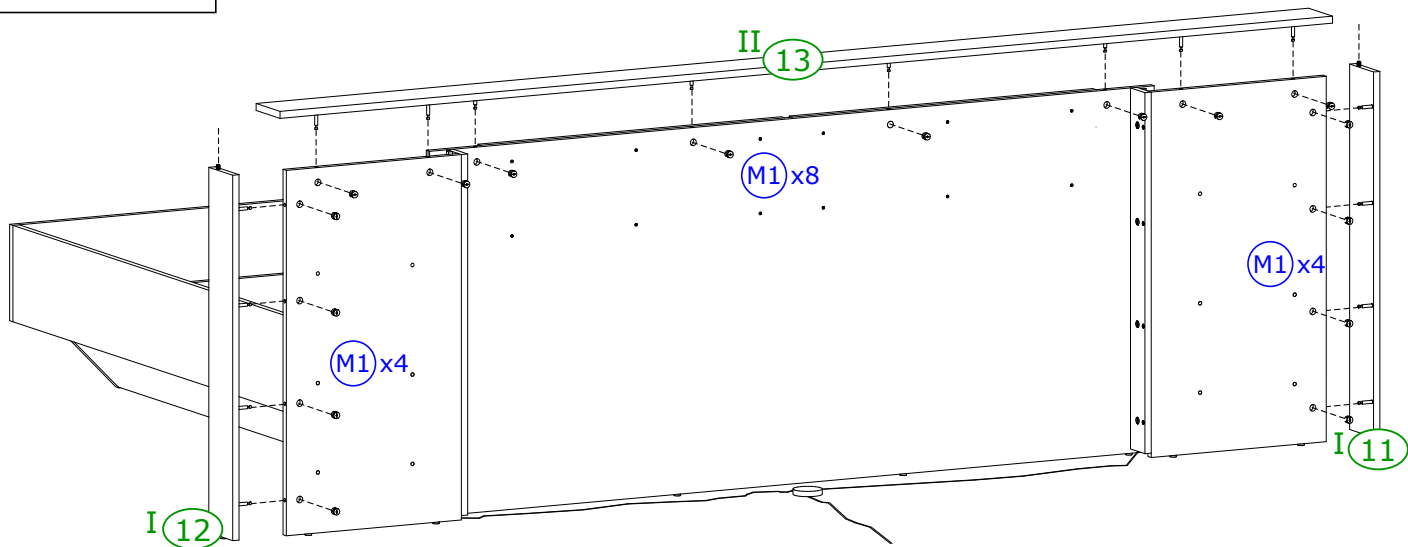
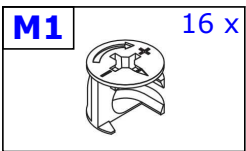
9



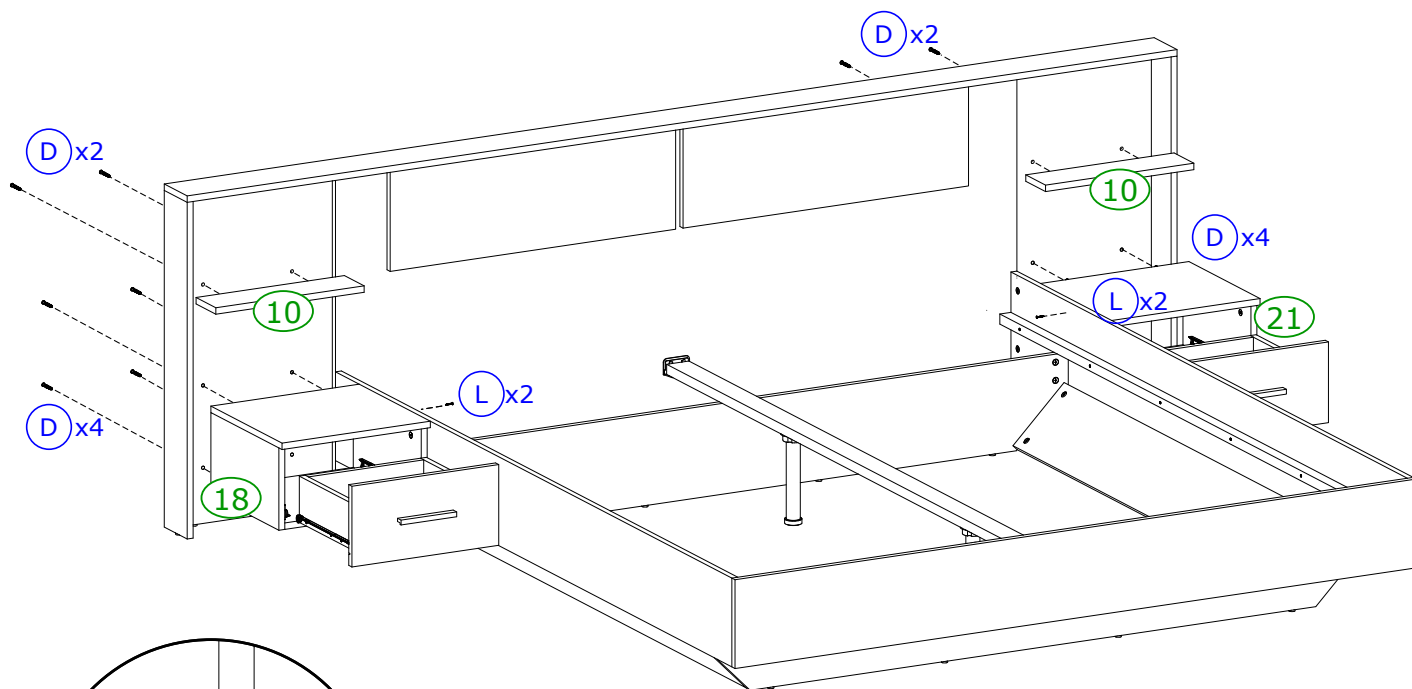
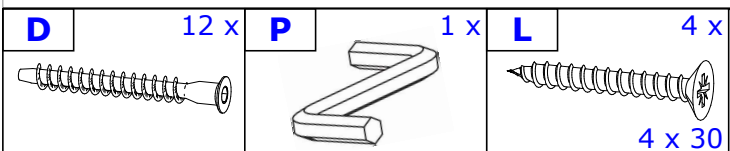
10



11



12



13